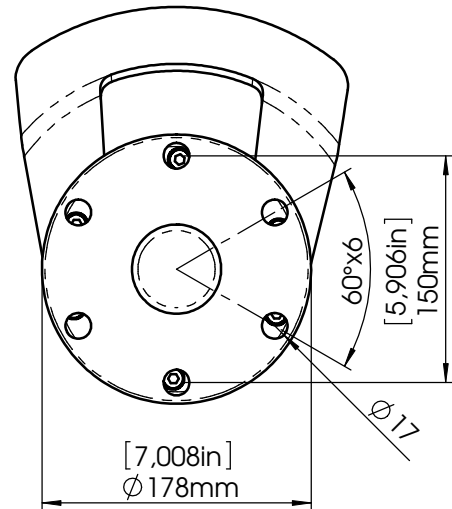
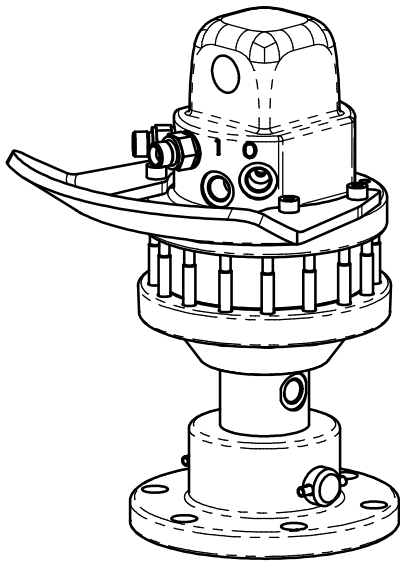
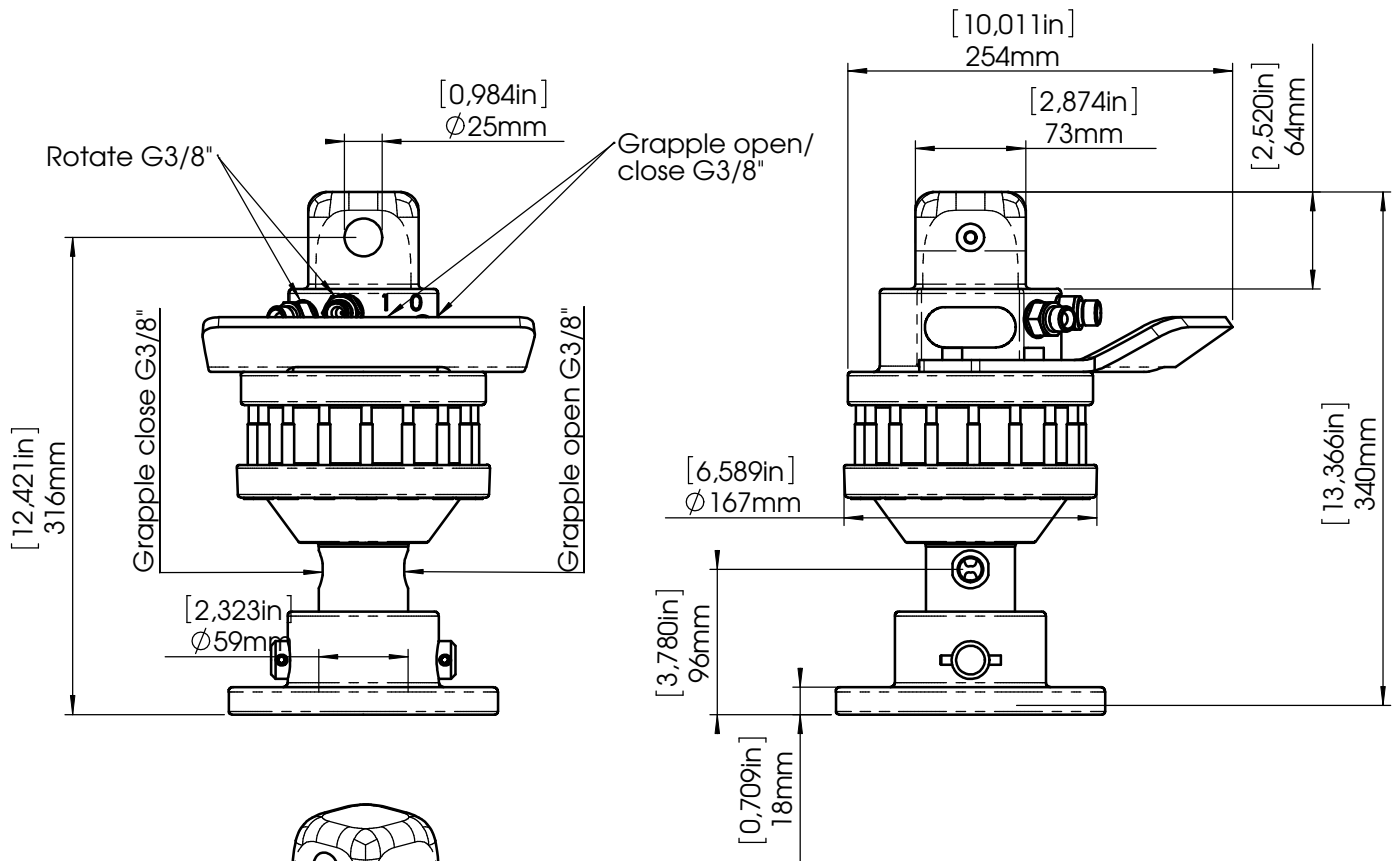
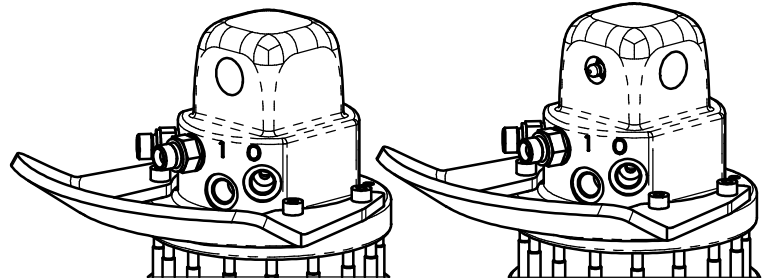


# Rotator FR 10 B150



Direction W

Direction X



FR 10 B150	
Rotation angle	Unlimited
Max. working pressure	200 bar
Displacement	420 cm <sup>3</sup>
Torque (200 bar)	1000 Nm
Max. axial force	60 kN
Safe working load	4000 kg
Weight	25 kg

Basic models			
Item	Name	Direction	Flange
11026	FR 10-X25B150	X	150
11028	FR 10-W25B150	W	150